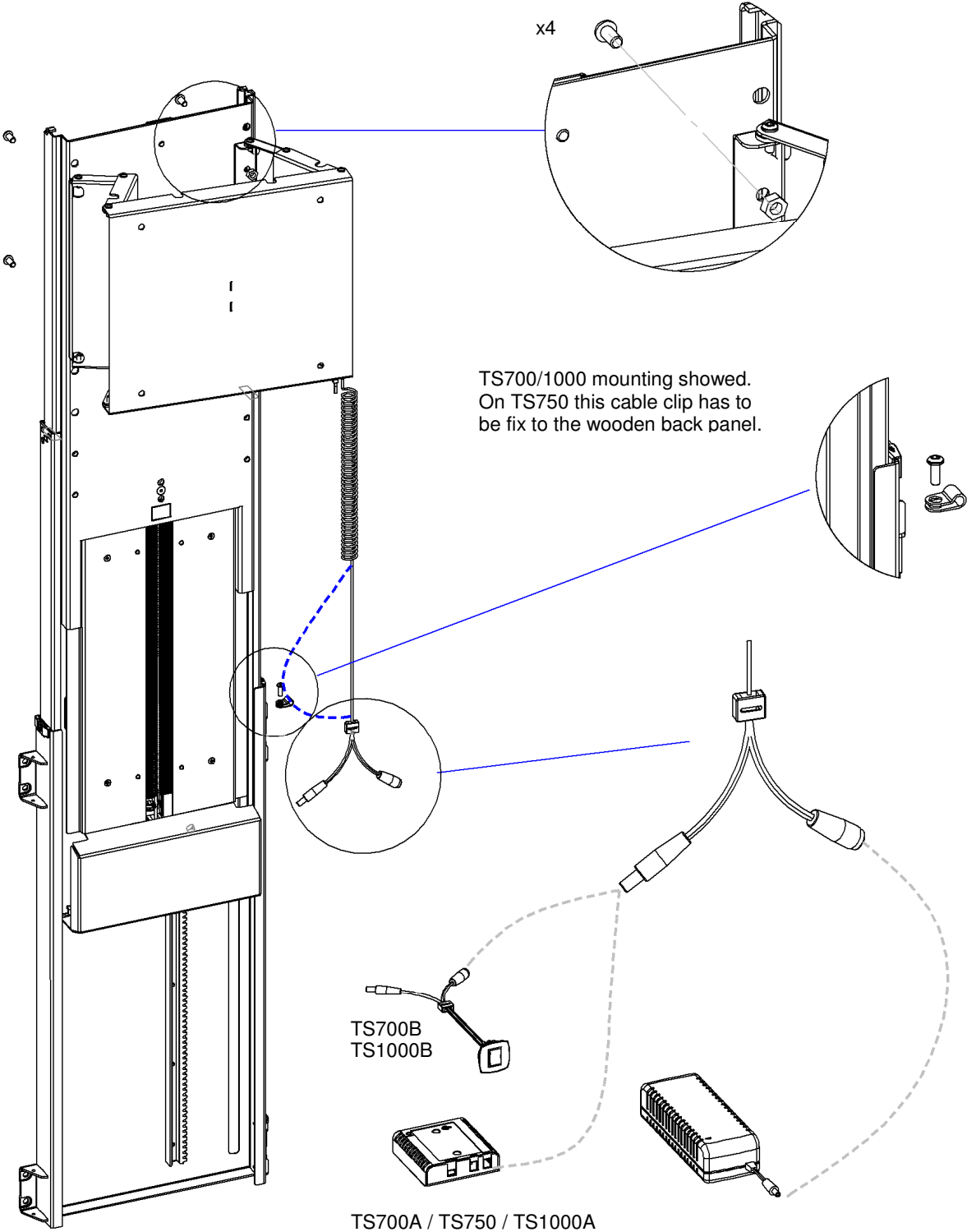


Mounting instruction



Adjusting safety switch function

The Lift only can be operated when the SB001 Swivel is placed parallel to the Lift.

Depending on the weight of the TV added it may be necessary to adjust the magnet (see below) to get the perfect function of the Safety switch.

